



Equipos
de Bombeo

Barmesa®

¡Líderes en Calidad!

**Bombas Sumergibles
Pozo Profundo 4"**



Bombas SS



Franklin Electric

CARACTERÍSTICAS GENERALES

CONSTRUCCIÓN

- Bridas de succión y descarga fabricadas en Acero Inoxidable 304, montaje NEMA.
- Válvula check integrada en la descarga.
- Cuerpo de bomba cilíndrico de Acero Inoxidable 304.
- Flecha de Acero Inoxidable 304.
- El diseño de los impulsores es del tipo flotante, esto permite un paso mayor de arena, fabricados en Noryl.[®]
- Difusores fabricados en policarbonato.
- Cople para motor fabricado en Acero Inoxidable 304.

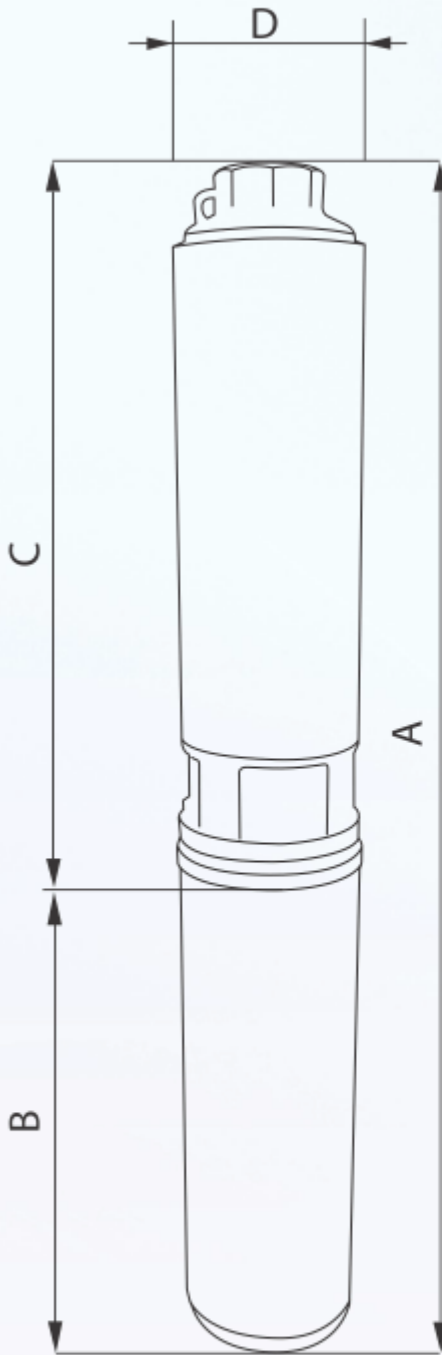
CARACTERÍSTICAS GENERALES

- 7 Rangos de operación: 5,10,18,25,35,50 y 80 GPM.
- Rango de potencia de 0.5 a 7.5 HP.



DIMENSIONES

MEDIDAS EN PULGADAS



SS05

Peso (Kgs)

| Modelo | Pasos | H.P. | DESC. | A | B | C | D | Bomba | Motor |
|------------|-------|------|-------|------|------|------|-----|-------|-------|
| SS0512-0.5 | 12 | 0.5 | 1.25 | 23.6 | 9.5 | 14.1 | 3.9 | 3.6 | 8.6 |
| SS0520-1.0 | 20 | 1.0 | 1.25 | 31.3 | 11.7 | 19.6 | 3.9 | 4.9 | 10.9 |

SS10

Peso (Kgs)

| Modelo | Pasos | H.P. | DESC. | A | B | C | D | Bomba | Motor |
|------------|-------|------|-------|------|------|------|-----|-------|-------|
| SS1007-5.0 | 7 | 0.5 | 1.25 | 20.2 | 9.5 | 10.7 | 3.9 | 2.8 | 8.6 |
| SS1012-1.0 | 12 | 1.0 | 1.25 | 25.8 | 11.7 | 14.1 | 3.9 | 3.6 | 10.9 |
| SS1017-1.5 | 17 | 1.5 | 1.25 | 31.2 | 13.6 | 17.6 | 3.9 | 4.4 | 12.7 |
| SS1020-2.0 | 20 | 2.0 | 1.25 | 34.7 | 15.1 | 19.6 | 3.9 | 4.9 | 15.0 |
| SS1027-3.0 | 27 | 3.0 | 1.25 | 44.9 | 19.0 | 25.9 | 3.9 | 6.0 | 18.6 |

SS18

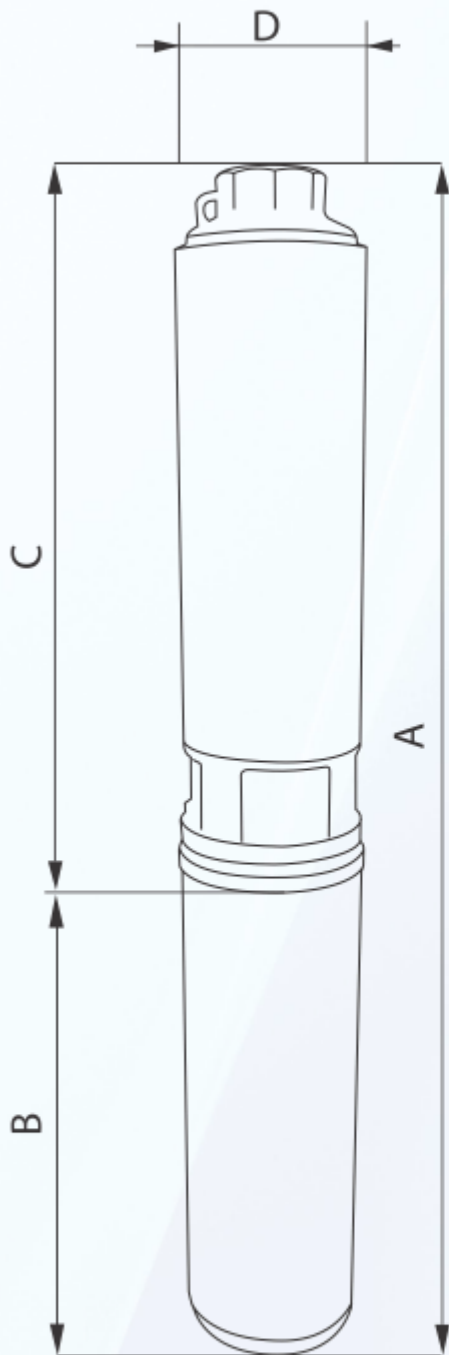
Peso (Kgs)

| Modelo | Pasos | H.P. | DESC. | A | B | C | D | Bomba | Motor |
|------------|-------|------|-------|------|------|------|-----|-------|-------|
| SS1805-0.5 | 5 | 0.5 | 1.25 | 19.6 | 9.5 | 10.1 | 3.9 | 2.7 | 8.6 |
| SS1808-1.0 | 8 | 1.0 | 1.25 | 24.4 | 11.7 | 12.7 | 3.9 | 3.1 | 10.9 |
| SS1811-1.5 | 11 | 1.5 | 1.25 | 28.8 | 13.6 | 15.2 | 3.9 | 3.6 | 12.7 |
| SS1814-2.0 | 14 | 2.0 | 1.25 | 32.9 | 15.1 | 17.8 | 3.9 | 4.1 | 15.0 |
| SS1819-3.0 | 19 | 3.0 | 1.25 | 41.0 | 19.0 | 22.0 | 3.9 | 4.9 | 18.6 |
| SS1830-5.0 | 30 | 5.0 | 1.25 | 54.8 | 22.2 | 32.6 | 3.9 | 7.1 | 25.0 |

SS25

Peso (Kgs)

| Modelo | Pasos | H.P. | DESC. | A | B | C | D | Bomba | Motor |
|------------|-------|------|-------|------|------|------|-----|-------|-------|
| SS2507-1.0 | 7 | 1.0 | 1.50 | 24.3 | 11.7 | 12.6 | 3.9 | 3.1 | 10.9 |
| SS2509-1.5 | 9 | 1.5 | 1.50 | 28.2 | 13.6 | 14.6 | 3.9 | 3.5 | 12.7 |
| SS2511-2.0 | 11 | 2.0 | 1.50 | 31.6 | 15.1 | 16.5 | 3.9 | 3.9 | 15.0 |
| SS2515-3.0 | 15 | 3.0 | 1.50 | 39.4 | 19.0 | 20.4 | 3.9 | 4.7 | 18.6 |
| SS2526-5.0 | 26 | 5.0 | 1.50 | 54.7 | 22.2 | 32.5 | 3.9 | 7.1 | 25.0 |



SS35

Peso (kg)

| Modelo | Pasos | H.P. | DESC. | A | B | C | D | Bomba | Motor |
|------------|-------|------|-------|------|------|------|-----|-------|-------|
| SS3506-1.0 | 6 | 1.0 | 2.00 | 25.8 | 11.7 | 14.1 | 3.9 | 3.4 | 10.9 |
| SS3508-1.5 | 8 | 1.5 | 2.00 | 30.2 | 13.6 | 16.6 | 3.9 | 4.0 | 12.7 |
| SS3510-2.0 | 10 | 2.0 | 2.00 | 34.1 | 15.1 | 19.0 | 3.9 | 4.6 | 15.0 |
| SS3514-3.0 | 14 | 3.0 | 2.00 | 42.9 | 19.0 | 23.9 | 3.9 | 5.7 | 18.6 |
| SS3522-5.0 | 22 | 5.0 | 2.00 | 57.3 | 22.2 | 35.1 | 3.9 | 8.1 | 25.0 |
| SS3534-7.5 | 34 | 7.5 | 2.00 | 77.7 | 28.2 | 49.5 | 3.9 | 11.6 | 31.8 |

SS55

Peso (kg)

| Modelo | Pasos | H.P. | DESC. | A | B | C | D | Bomba | Motor |
|------------|-------|------|-------|------|------|------|-----|-------|-------|
| SS5505-1.5 | 5 | 1.5 | 2.00 | 30.6 | 13.6 | 17.0 | 3.9 | 4.3 | 12.7 |
| SS5507-2.0 | 7 | 2.0 | 2.00 | 37.7 | 21.1 | 16.6 | 3.9 | 5.3 | 15.0 |
| SS5509-3.0 | 9 | 3.0 | 2.00 | 44.3 | 25.3 | 19.0 | 3.9 | 6.2 | 18.6 |
| SS5515-5.0 | 15 | 5.0 | 2.00 | 61.4 | 37.5 | 23.9 | 3.9 | 9.0 | 25.0 |
| SS5522-7.5 | 22 | 7.5 | 2.00 | 88.0 | 52.9 | 35.1 | 3.9 | 12.3 | 31.8 |

SS80

Peso (kg)

| Modelo | Pasos | H.P. | DESC. | A | B | C | D | Bomba | Motor |
|------------|-------|------|-------|------|------|------|-----|-------|-------|
| SS8005-3.0 | 5 | 3.0 | 2.00 | 37.6 | 19.0 | 18.6 | 3.9 | 4.4 | 18.6 |
| SS8009-5.0 | 9 | 5.0 | 2.00 | 51.5 | 22.2 | 29.3 | 3.9 | 6.9 | 25.0 |
| SS8014-7.5 | 14 | 7.5 | 2.00 | 70.8 | 28.2 | 42.6 | 3.9 | 9.9 | 31.8 |

DESCARGA 1.25" N.P.T.

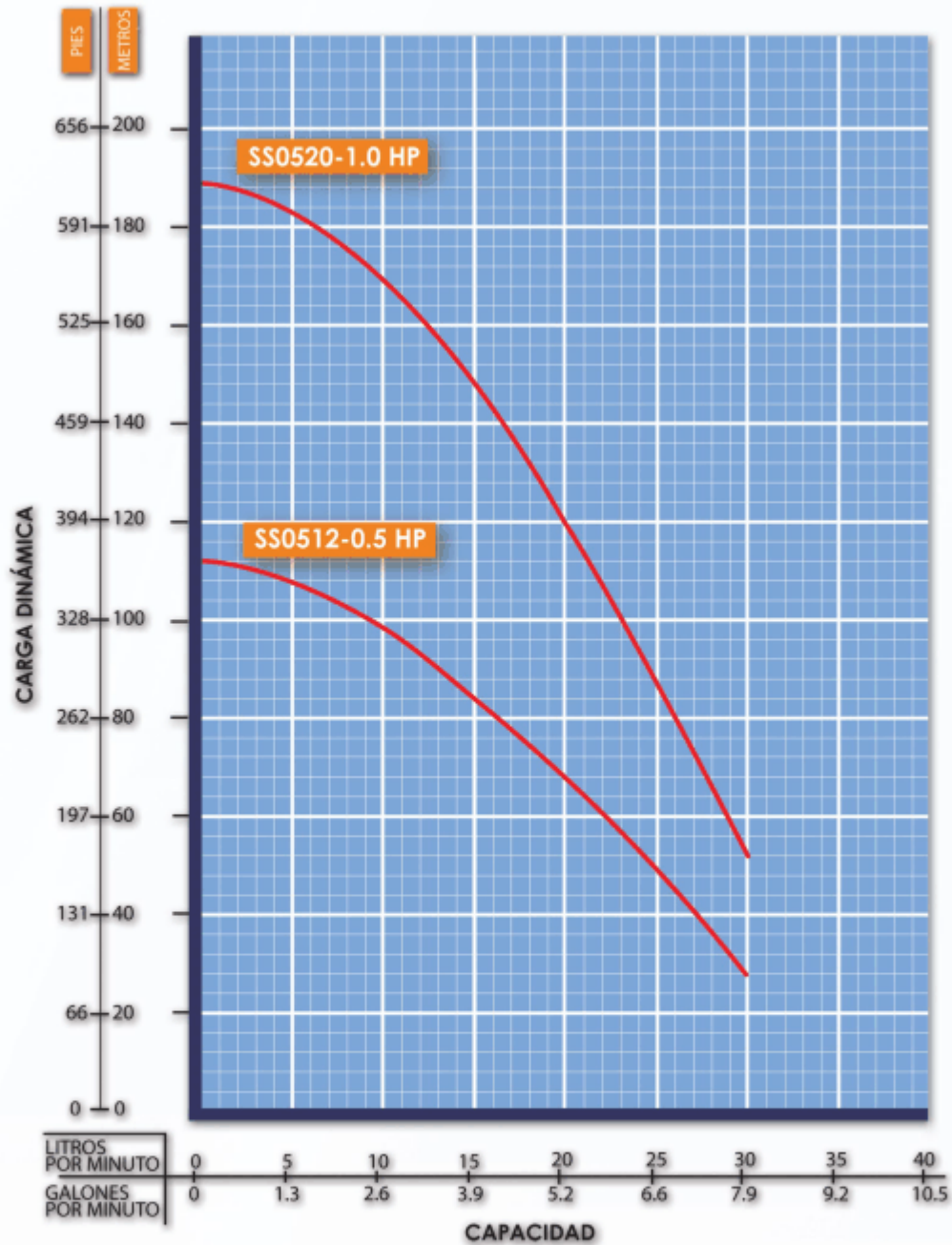


TABLA DE RENDIMIENTO

| MODELO | PASOS | H.P. | Capacidad L.P.M | | | | | Carga (m) |
|------------|-------|------|-----------------|-----|-----|----|----|-----------|
| | | | 10 | 15 | 20 | 25 | 30 | |
| SS0512-0.5 | 12 | 0.5 | 98 | 85 | 68 | 49 | 28 | |
| SS0520-1.0 | 20 | 1.0 | 169 | 148 | 120 | 88 | 53 | |

SS10

CURVA DE RENDIMIENTO

DESCARGA 1.25" N.P.T.

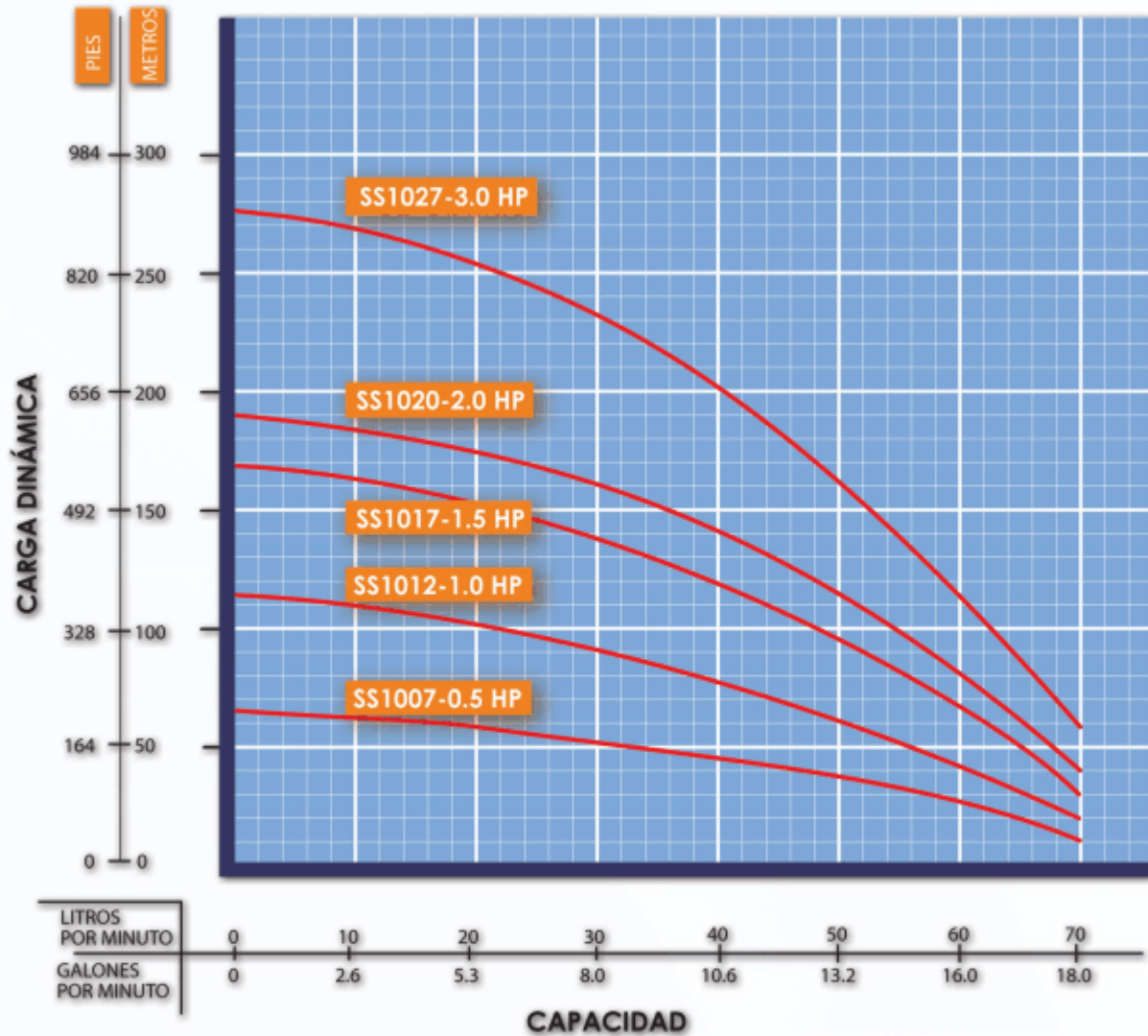


TABLA DE RENDIMIENTO

| MODELO | PASOS | H.P. | Capacidad L.P.M. | | | | | | | | CARGA (mts) |
|------------|-------|------|------------------|-----|-----|-----|-----|-----|-----|----|-------------|
| | | | 20 | 25 | 30 | 35 | 40 | 50 | 60 | 70 | |
| SS1007-0.5 | 7 | 0.5 | 60 | 55 | 52 | 52 | 49 | 39 | 27 | 11 | |
| SS1012-1.0 | 12 | 1.0 | 102 | 98 | 90 | 85 | 79 | 63 | 43 | 20 | |
| SS1017-1.5 | 17 | 1.5 | 153 | 148 | 138 | 129 | 119 | 94 | 65 | 30 | |
| SS1020-2.0 | 20 | 2.0 | 175 | 168 | 161 | 152 | 141 | 113 | 80 | 40 | |
| SS1027-3.0 | 27 | 3.0 | 252 | 245 | 232 | 220 | 203 | 165 | 111 | 60 | |

CURVA DE RENDIMIENTO

DESCARGA 1.25" N.P.T.

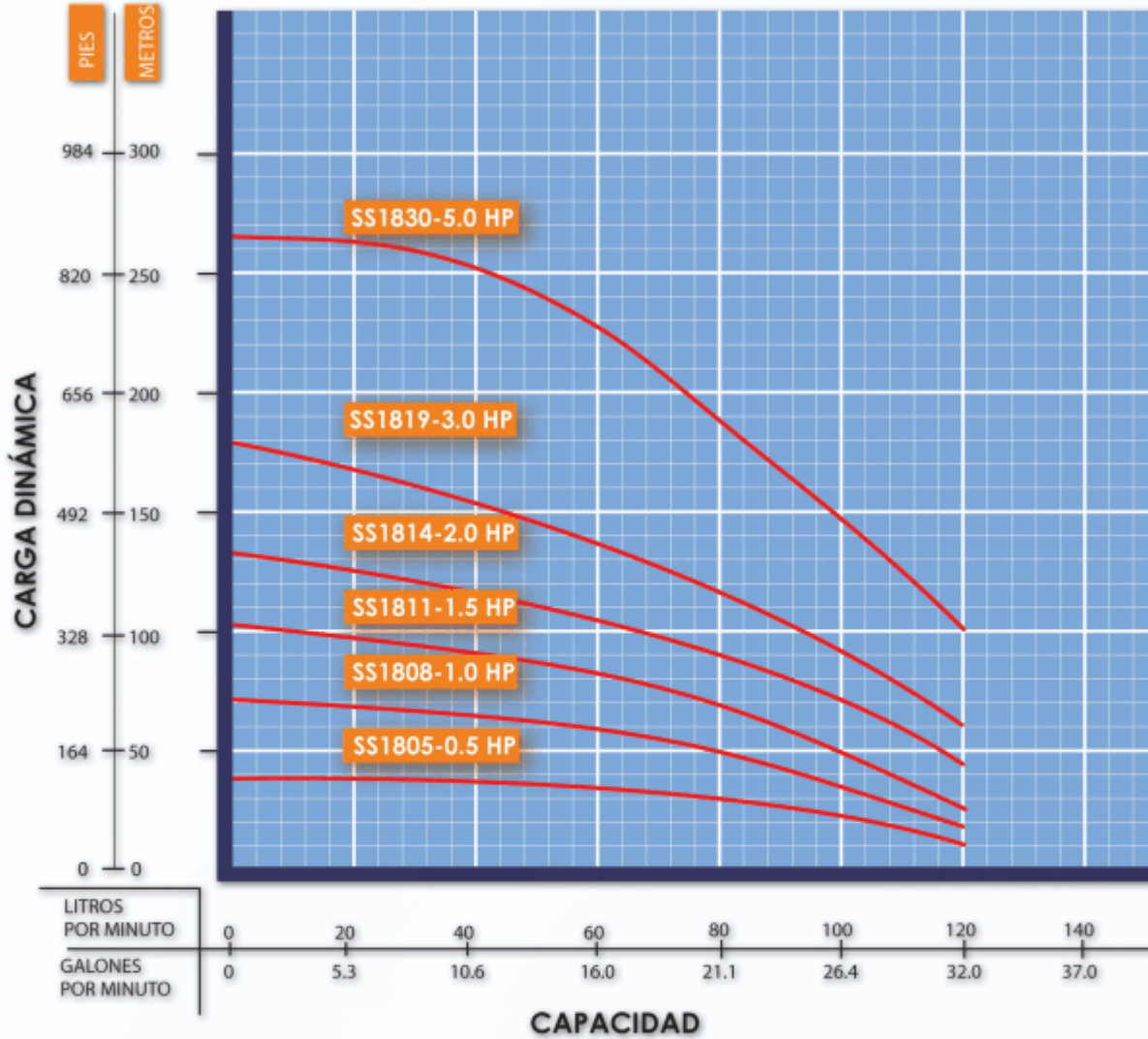


TABLA DE RENDIMIENTO

| MODELO | PASOS | H.P. | Capacidad L.P.M | | | | | | | | |
|------------|-------|------|-----------------|-----|-----|-----|-----|-----|-----|-----|-----|
| | | | 35 | 40 | 50 | 60 | 70 | 80 | 90 | 100 | 120 |
| SS1805-0.5 | 5 | 0.5 | 41 | 39 | 37 | 35 | 30 | 26 | 21 | 15 | 11 |
| SS1808-1.0 | 8 | 1.0 | 70 | 68 | 65 | 61 | 55 | 49 | 40 | 31 | 22 |
| SS1811-1.5 | 11 | 1.5 | 96 | 94 | 90 | 84 | 77 | 68 | 58 | 46 | 33 |
| SS1814-2.0 | 14 | 2.0 | 123 | 120 | 115 | 108 | 99 | 88 | 75 | 61 | 45 |
| SS1819-3.0 | 19 | 3.0 | 167 | 165 | 156 | 146 | 134 | 119 | 102 | 81 | 60 |
| SS1830-5.0 | 30 | 5.0 | 260 | 254 | 242 | 228 | 210 | 189 | 164 | 148 | 102 |

Carga (metros)

CURVA DE RENDIMIENTO

DESCARGA 1.50" N.P.T.

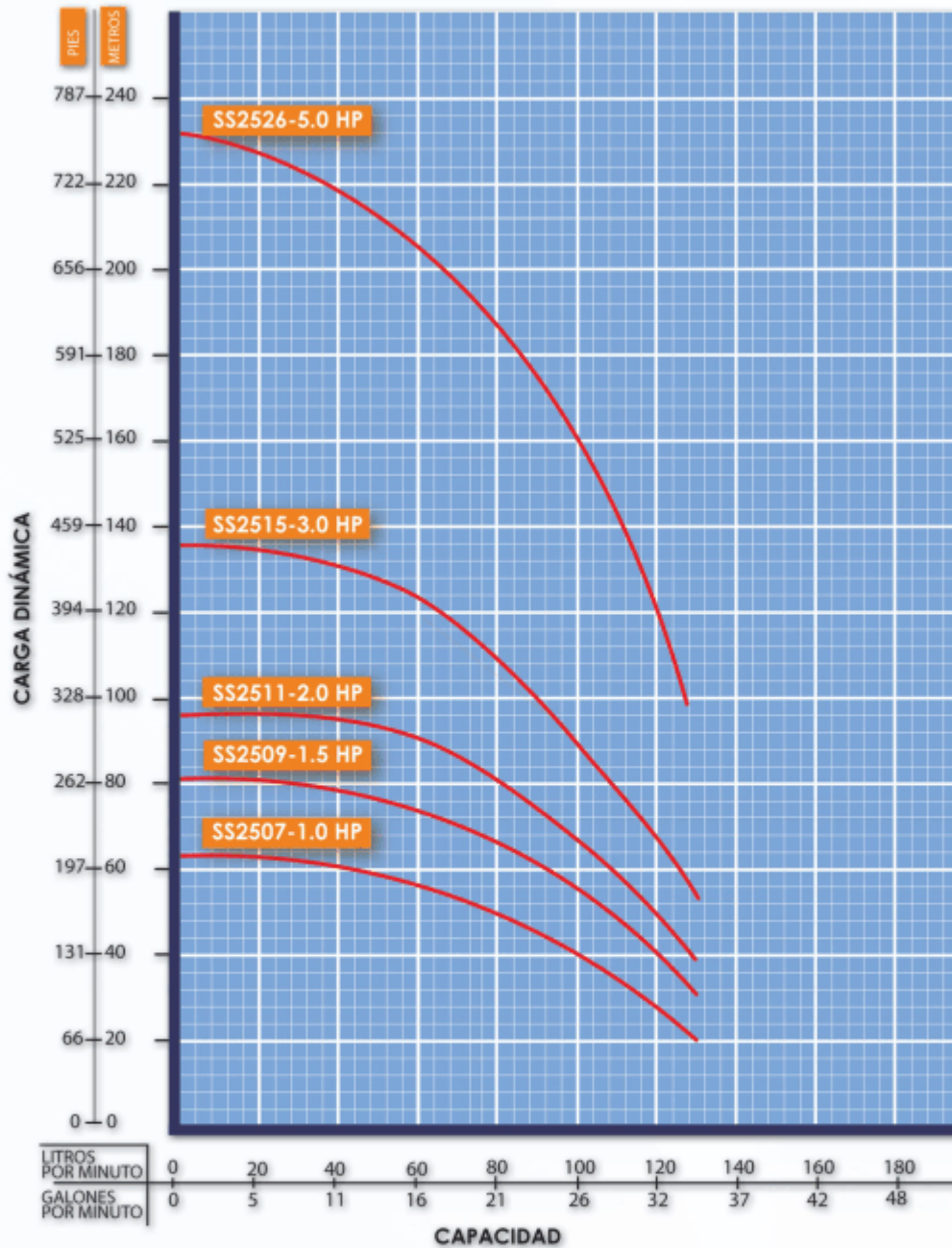


TABLA DE RENDIMIENTO

| MODELO | PASOS | H.P. | Capacidad L.P.M | | | | | | | Carga (mis) |
|------------|-------|------|-----------------|-----|-----|-----|-----|-----|-----|-------------|
| | | | 50 | 60 | 70 | 80 | 90 | 100 | 120 | |
| SS2507-1.0 | 7 | 1.0 | 59 | 57 | 54 | 50 | 45 | 40 | 27 | |
| SS2509-1.5 | 9 | 1.5 | 77 | 74 | 71 | 66 | 60 | 53 | 38 | |
| SS2511-2.0 | 11 | 2.0 | 94 | 91 | 86 | 81 | 75 | 67 | 49 | |
| SS2515-3.0 | 15 | 3.0 | 128 | 124 | 109 | 104 | 98 | 89 | 69 | |
| SS2526-5.0 | 26 | 5.0 | 215 | 204 | 196 | 188 | 175 | 161 | 120 | |

CURVA DE RENDIMIENTO

DESCARGA 2" N.P.T.

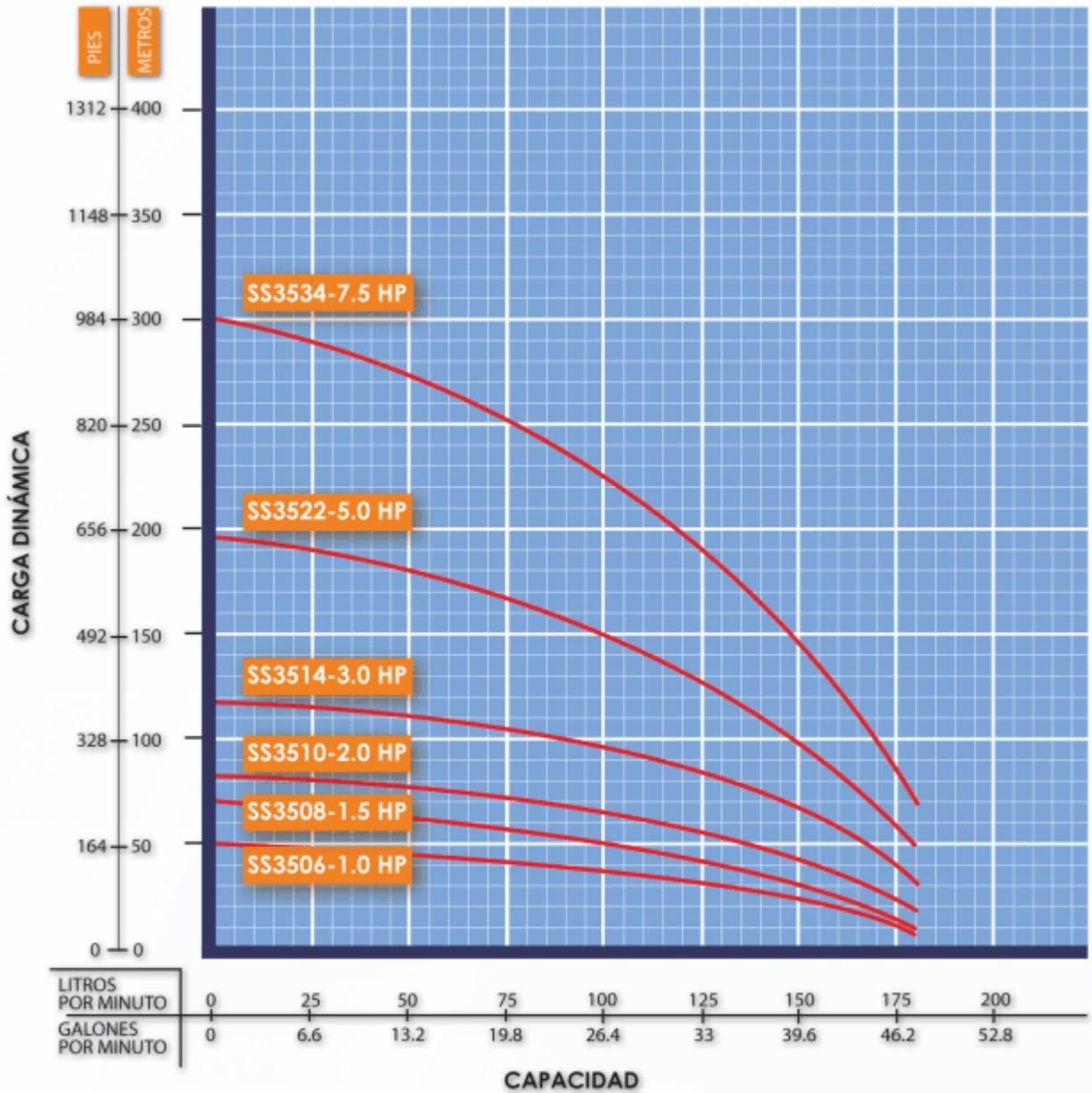


TABLA DE RENDIMIENTO

| MODELO | PASOS | H.P. | Capacidad L.P.M | | | | | | | | |
|------------|-------|------|-----------------|-----|-----|-----|-----|-----|-----|-----|-----|
| | | | 60 | 70 | 80 | 90 | 100 | 120 | 140 | 160 | 180 |
| SS3506-1.0 | 6 | 1.0 | 44 | 43 | 42 | 40 | 38 | 33 | 27 | 18 | 9 |
| SS3508-1.5 | 8 | 1.5 | 60 | 58 | 55 | 52 | 50 | 43 | 35 | 24 | 12 |
| SS3510-2.0 | 10 | 2.0 | 77 | 75 | 72 | 69 | 65 | 58 | 48 | 32 | 17 |
| SS3514-3.0 | 14 | 3.0 | 109 | 106 | 102 | 99 | 94 | 83 | 70 | 51 | 29 |
| SS3522-5.0 | 22 | 5.0 | 170 | 165 | 159 | 152 | 147 | 132 | 111 | 84 | 50 |
| SS3534-7.5 | 34 | 7.5 | 263 | 255 | 246 | 236 | 225 | 200 | 167 | 122 | 69 |

Carga (metros)

CURVA DE RENDIMIENTO

DESCARGA 2" N.P.T.

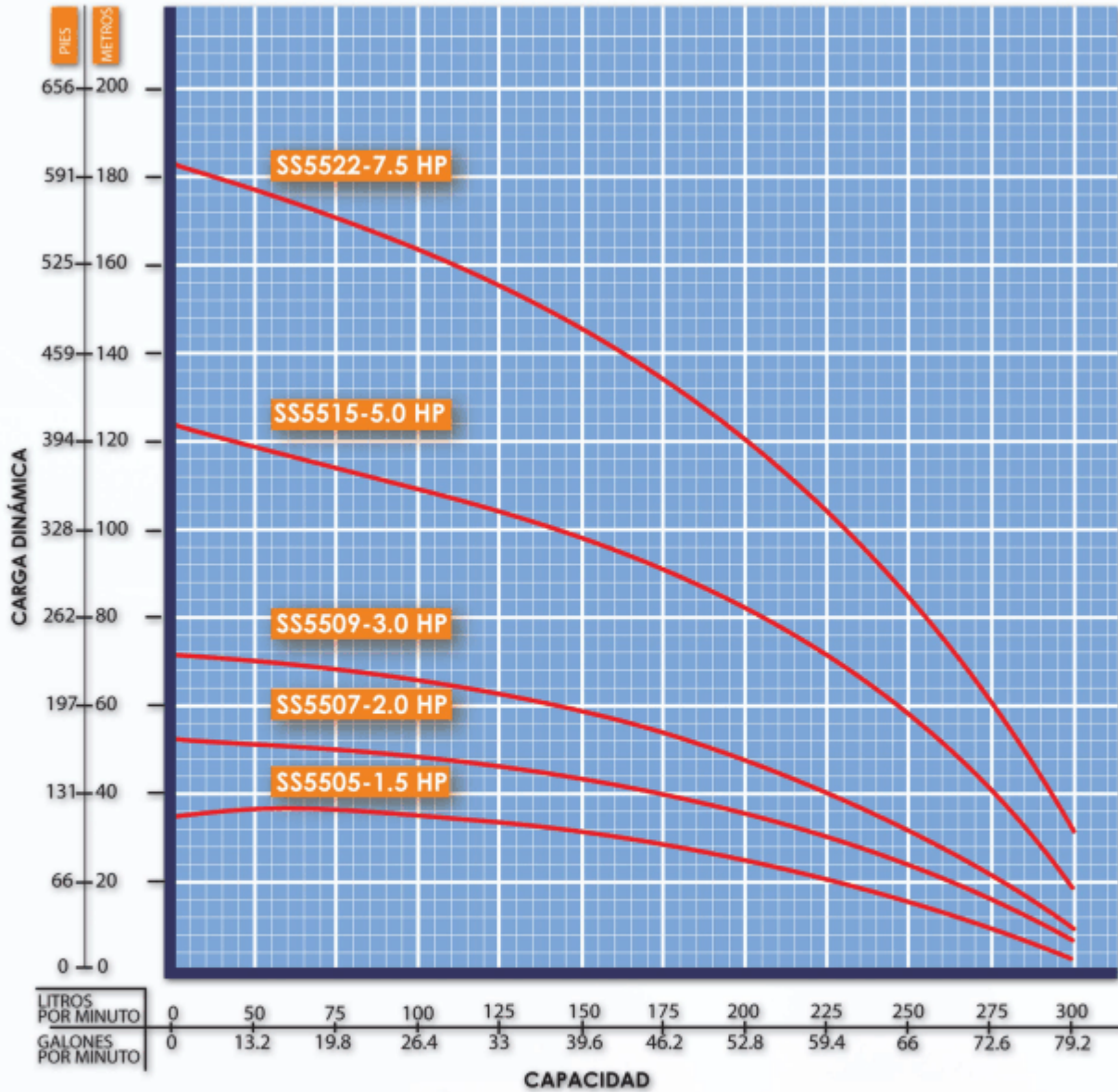


TABLA DE RENDIMIENTO

| MODELO | PASOS | H.P. | Capacidad L.P.M | | | | | | | | | | | | Carga (mis) |
|------------|-------|------|-----------------|-----|-----|-----|-----|-----|-----|-----|-----|-----|-----|-----|-------------|
| | | | 80 | 90 | 100 | 120 | 140 | 160 | 180 | 200 | 220 | 240 | 260 | 280 | |
| SS5505-1.5 | 5 | 1.5 | 38 | 37 | 36 | 34 | 32 | 30 | 28 | 25 | 22 | 18 | 14 | 9 | |
| SS5507-2.0 | 7 | 2.0 | 52 | 51 | 50 | 48 | 46 | 43 | 40 | 36 | 31 | 26 | 21 | 15 | |
| SS5509-3.0 | 9 | 3.0 | 67 | 66 | 64 | 62 | 59 | 56 | 52 | 47 | 42 | 35 | 28 | 19 | |
| SS5515-5.0 | 15 | 5.0 | 113 | 112 | 109 | 105 | 100 | 94 | 88 | 80 | 72 | 63 | 51 | 37 | |
| SS5522-7.5 | 22 | 7.5 | 169 | 166 | 162 | 156 | 149 | 140 | 131 | 118 | 106 | 91 | 75 | 55 | |

CURVA DE RENDIMIENTO

DESCARGA 2" N.P.T.

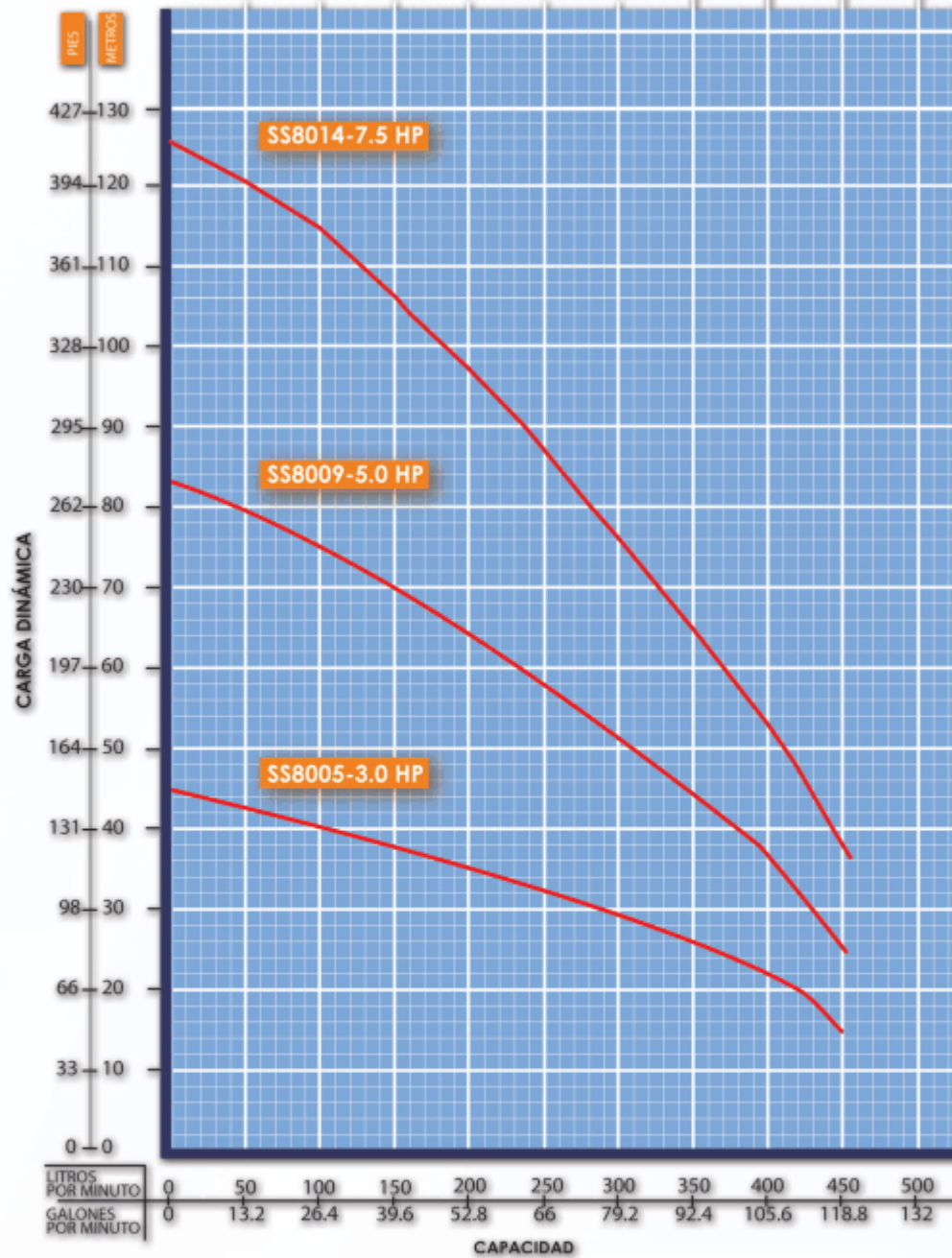


TABLA DE RENDIMIENTO

| MODELO | PASOS | H.P. | Capacidad L.P.M | | | | | | | | | | | Carga (mts) |
|------------|-------|------|-----------------|-----|-----|-----|-----|-----|-----|-----|-----|-----|-----|-------------|
| | | | 160 | 180 | 200 | 220 | 240 | 260 | 280 | 300 | 340 | 380 | 420 | |
| SS8005-3.0 | 5 | 3.0 | 37 | 36 | 35 | 34 | 33 | 32 | 31 | 29 | 27 | 25 | 20 | |
| SS8009-5.0 | 9 | 5.0 | 68 | 66 | 63 | 61 | 58 | 56 | 53 | 51 | 45 | 39 | 33 | |
| SS8014-7.5 | 14 | 7.5 | 104 | 101 | 97 | 93 | 89 | 85 | 80 | 76 | 67 | 62 | 48 | |



Bombas SS

Barnes de México, S. A. de C. V.

Monterrey, N. L. (Matriz)

Tel.: (81) 8351.3737 / 8351.8830

Fax: (81) 8331.1777 / 8351.9609

D. Ladrón de Guevara 302 ote.,
Col. Del Norte, C. P. 64500,
Monterrey, Nuevo León, México.
Correo-e: ventasbarnes@barnes.com.mx

México, D. F.

Tel.: (55) 5029.6974 / 5029.6975

(55) 5029.6976 / 5029.6977

Calle Poniente 122 #419, bodega 2,
col. Barrio de Coltongo, Azcapotzalco,
entre calle Norte 35 y ave. Vallejo
C. P. 02630, México, D. F.
Correo-e: ofmexico@barnes.com.mx

Puebla, Puebla

Tel.: (22) 2774.8264

Fax: (22) 2774.8265

15 pte. #507-A, col. El Carmen,
entre calles 5 y 7 sur, C. P. 72100
Puebla, Puebla.
Correo-e: ofpuebla@barnes.com.mx

Guadalajara, Jalisco

Tel.: (33) 3875.1150

Fax: (33) 3585.8772 / 3875.1151

Industria del Agave #148,
Fracc. Industrial Zapopan Norte,
C. P. 45130, Zapopan, Jalisco.
Correo-e: ofgdl@barnes.com.mx

Mérida, Yucatán

Tel.: (99) 9253.2240 y 41

Fax: (99) 9124.8272 y 73

Calle 10 #206-A x 35 y 37,
Col. San Juan Grande, C. P. 97145
Mérida, Yucatán.
Correo-e: ofmerida@barnes.com.mx

www.barnes.com.mx